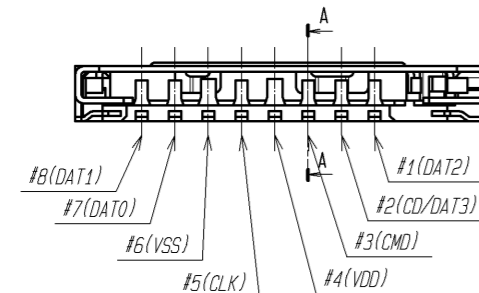


( 15.45 ) : LOCK POSITION

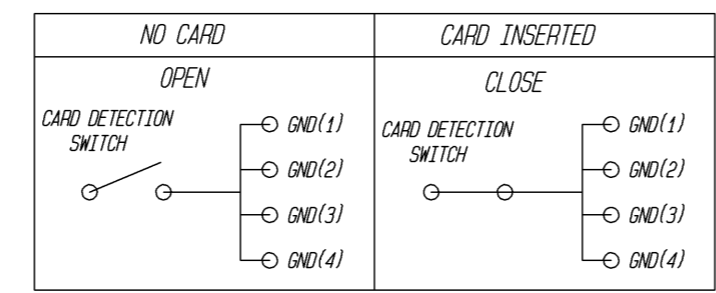
OPEN

LOCK

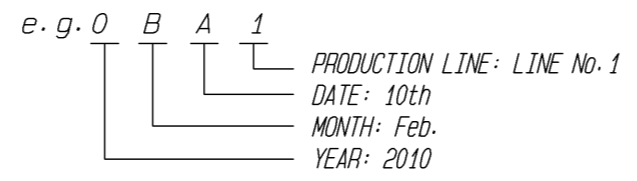
microSD CARD



NOTE: ① CO-PLANARITY SHALL BE 0.1mm MAX.  
 ② CARD DETECTION SWITCH



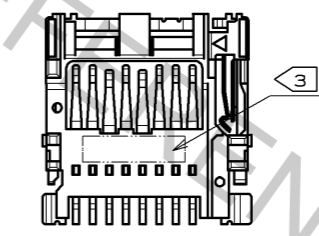
③ Lot.No. SHALL BE INDICATED AS SHOWN.



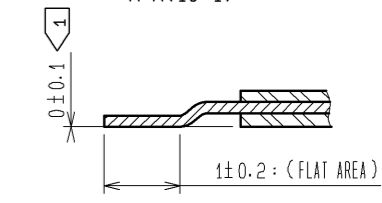
③ MANUFACTURING DATE

YEAR	SYMBOL	MONTH	SYMBOL	DATE	SYMBOL	DATE	SYMBOL	DATE	SYMBOL
2010	0	Jan.	A	1	1	11	B	21	M
2011	1	Feb.	B	2	2	12	C	22	N
2012	2	Mar.	C	3	3	13	D	23	P
2013	3	Apr.	D	4	4	14	E	24	Q
2014	4	May.	E	5	5	15	F	25	R
2015	5	Jun.	F	6	6	16	G	26	S
2016	6	Jul.	G	7	7	17	H	27	T
2007	7	Aug.	H	8	8	18	J	28	U
2008	8	Sep.	I	9	9	19	K	29	V
2009	9	Oct.	J	10	A	20	L	30	W
		Nov.	K					31	X
		Dec.	L						

Lot.No. POSITION(2:1)



A-A(10:1)



NO.	MATERIAL	FINISH . REMARKS	NO.	MATERIAL	FINISH . REMARKS
3	STAINLESS STEEL		5~8	PHOSPHOR BRONZE	MOUNTING AREA Ni1 μm+Au0.03 μm
2	PHOSPHOR BRONZE	CONTACT AREA Ni2 μm+Au0.1 μm	4	PHOSPHOR BRONZE	CONTACT AREA Ni0.5 μm+Au0.03 μm
		MOUNTING AREA Ni1 μm+Au0.03 μm			MOUNTING AREA Ni1 μm+Au0.03 μm
1	LCP	BLACK UL94V-0			

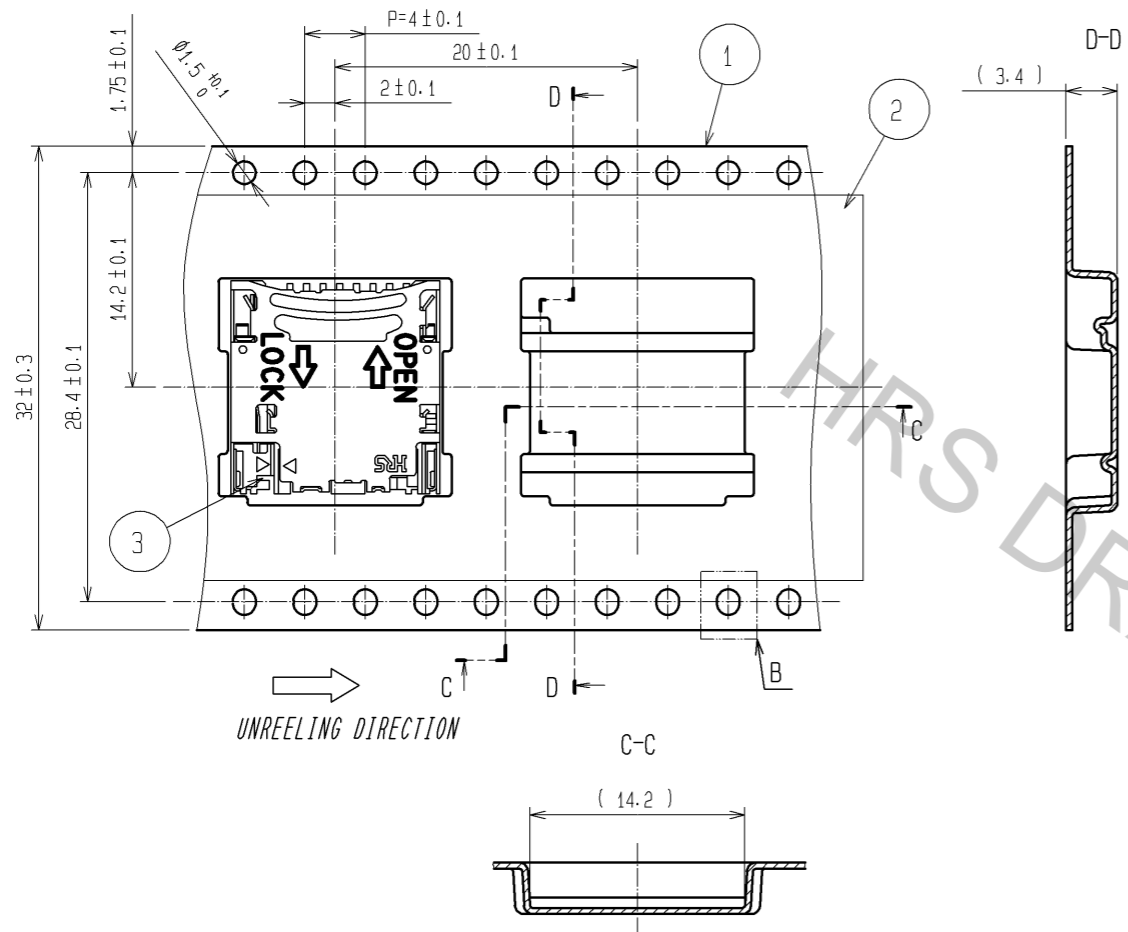
  

UNITS	SCALE	COUNT	DESCRIPTION OF REVISIONS	DESIGNED	CHECKED	DATE
mm	4 : 1	△				

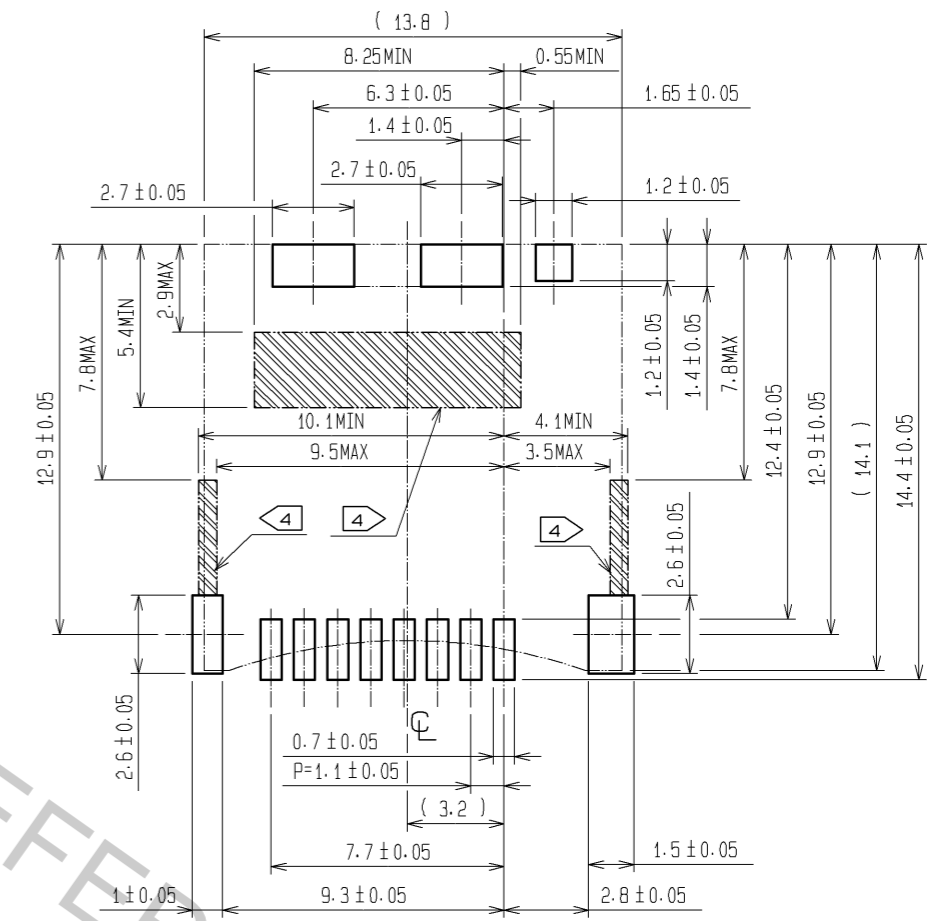
  

APPROVED	DATE	DRAWING NO.
KI. AKIYAMA	10.02.12	EDC3-327223-03
CHECKED	DATE	PART NO.
NH. SUGITA	10.02.10	DM3CS-SF
DESIGNED	DATE	CODE NO.
TY. EDAGAWA	10.02.10	CL609-0032-3-00
DRAWN	DATE	
GO. KAMIMURA	10.02.09	

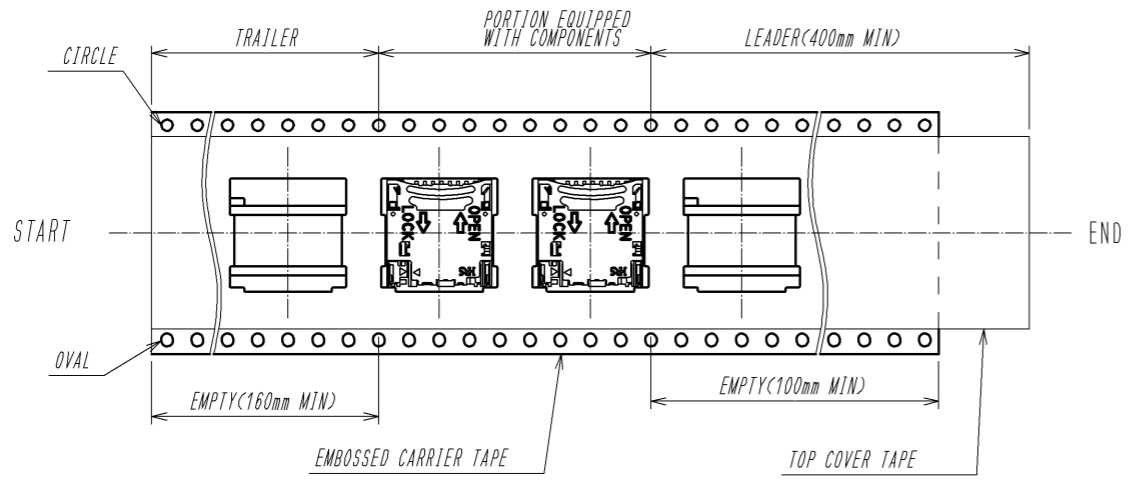
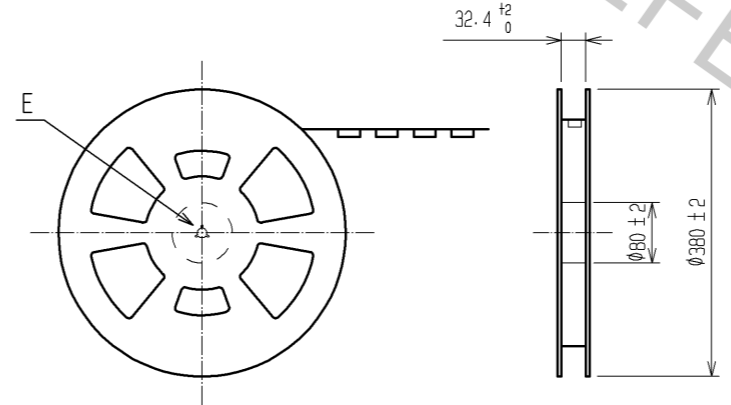
5 DRAWING FOR PACKING



RECOMMENDED PCB LAYOUT (MOUNTING SIDE)



DETAIL OF REEL (1:10)



NOTE. 4 : NO PATTERNS ARE PERMITTED IN THIS OBLIQUE-HATCHED AREA.  
 5 PACKING TYPE: TAPE AND REEL. 1300PCS PER REEL.  
 6 PLEASE REFER TO TECHNICAL SPECIFICATION : ETAD-F0335  
 \*DM3C SERIES PRODUCT INFORMATION AND HANDLING INSTRUCTIONS\*  
 FOR THE HANDLING OF THE PRODUCT.

3	(CONNECTORS)	
2	POLYESTER	
1	PS	

NO.	MATERIAL	FINISH	REMARKS	NO.	MATERIAL	FINISH	REMARKS	
UNITS	mm	SCALE	FREE	COUNT	DESCRIPTION OF REVISIONS	DESIGNED	CHECKED	DATE
APPROVED	: KI. AKIYAMA	10.02.12	DRAWING NO.	EDC3-327223-03				
CHECKED	: NH. SUGITA	10.02.10	PART NO.	DM3CS-SF				
DESIGNED	: TY. EDAGAWA	10.02.10	CODE NO.	CL609-0032-3-00				
DRAWN	: GO. KAMIMURA	10.02.09						