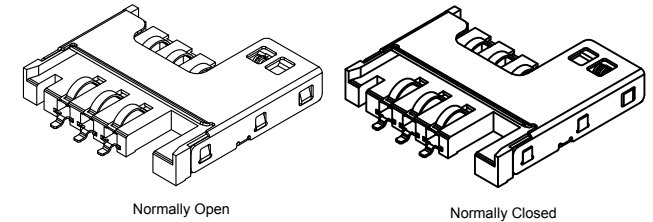
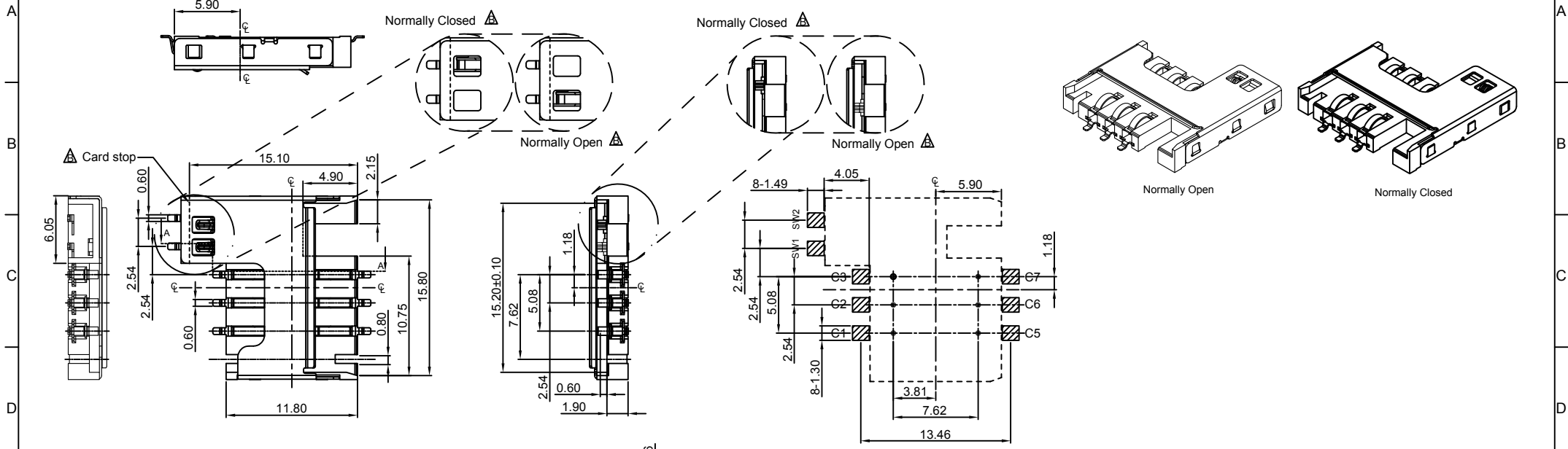


Global Connector Technology Ltd. - SIM2070 : SIM Card Connector, Receiver Type, 6 Pin, SMT, 3.44mm Profile, with Card Detection Switch



RECOMMENDED PCB LAYOUT
GENERAL TOLERANCE ±0.05

AS VIEWED FROM COMPONENT SIDE

- Solder Area
- Component Outline

Specifications 规格:

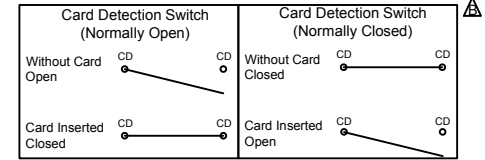
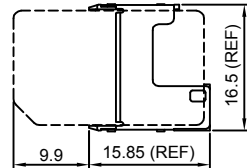
Material 物料规格:
 Plastic Housing 塑胶外壳: Hi-Temp Thermoplastic UL94V-0, Black 高温塑胶, 黑色
 Contact and Switch Terminals 接触端子: Phosphor Bronze 磷青铜
 Metallic Shell 金属外壳: Stainless Steel 不锈钢

Plating (Contacts & Switch) 电镀规格:
 Under-Plating 底层电镀: 50μm Nickel 镀镍
 Contact Area 接触部分: 5μm Gold 5μm 镀金;
 Soldering Area 焊接部分: Tin 锡

Electrical 电气规格:
 Voltage Rating 电压额定值: 50V Max.
 Current Rating 电流额定值: 1A Max. 10μ A Min.
 Operating Temperature 工作温度: -40°C to +85°C
 Contact Resistance 接触电阻值: 50mΩ Max.
 Insulating Resistance 绝缘电阻值: >1000MΩ/500VDC
 Dielectric Withstanding Voltage 耐压: Withstand 500 VAC for 1 minute 能承受 500 VAC 1分钟

Mechanical 机械性规格:
 Durability 耐久性: 5,000 cycles 5,000 次插拔

- C1----->VCC
- C2----->RST
- C3----->CLK
- C5----->GND
- C6----->Vpp
- C7----->I/O



Ordering Grid

SIM2070 - **6** - **X** - **30** - **00** - **A** **REQUEST SAMPLES AND QUOTATION**

No. of Contacts: 6
 Packing Options: A = Tape & Reel (700 Pcs per Reel)

1 = With Switch - Normally Open (Standard)
 0 = With Switch - Normally Closed

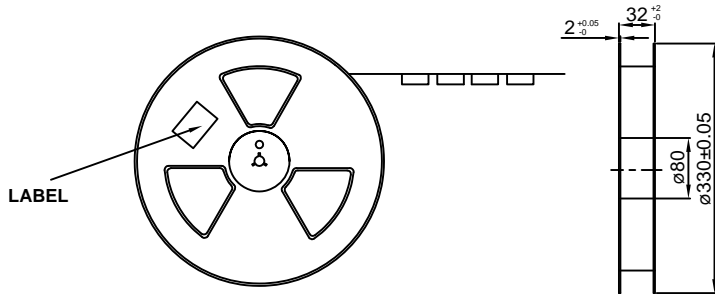
By	CM	ASE	ASE
DETAIL	DRAWING RELEASE	PCN SIM2070-001	PCN SIM2070-002
REV DATE	A 05/12/11	B 12/11/12	C 07/01/13



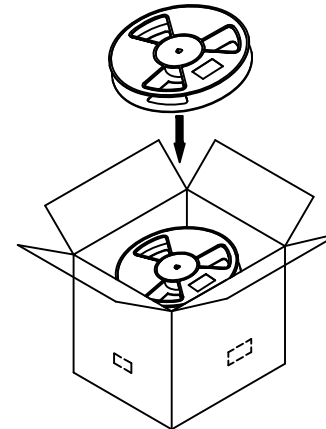
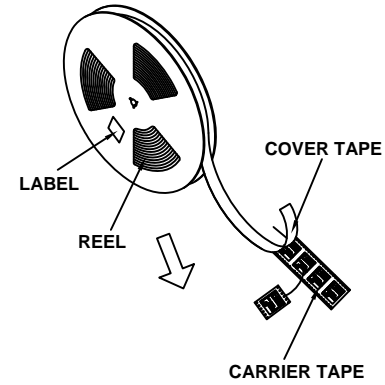
Tolerances (Except as noted)	Part Number:-	Date:-
Dimensions in mm	SIM2070	05 DEC 11
X.X ± 0.25 X.XX ± 0.15 X.XXX ± 0.050	Description:-	
X." ± 1" X.X" ± 0.5" X.XX" ± 0.25"	SIM CONNECTOR, RECEIVER TYPE, 6 PIN SMT, 3.44mm PROFILE, WITH DETECTION SWITCH	
Third Angle Projection	THIS DRAWING IS CONFIDENTIAL AND MUST NOT BE COPIED OR DISCLOSED WITHOUT WRITTEN CONSENT	



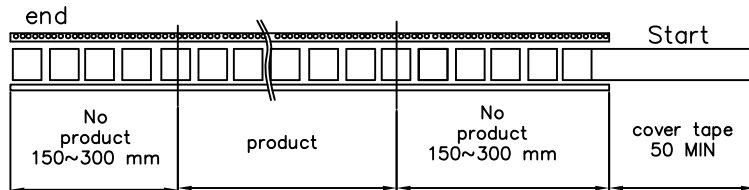
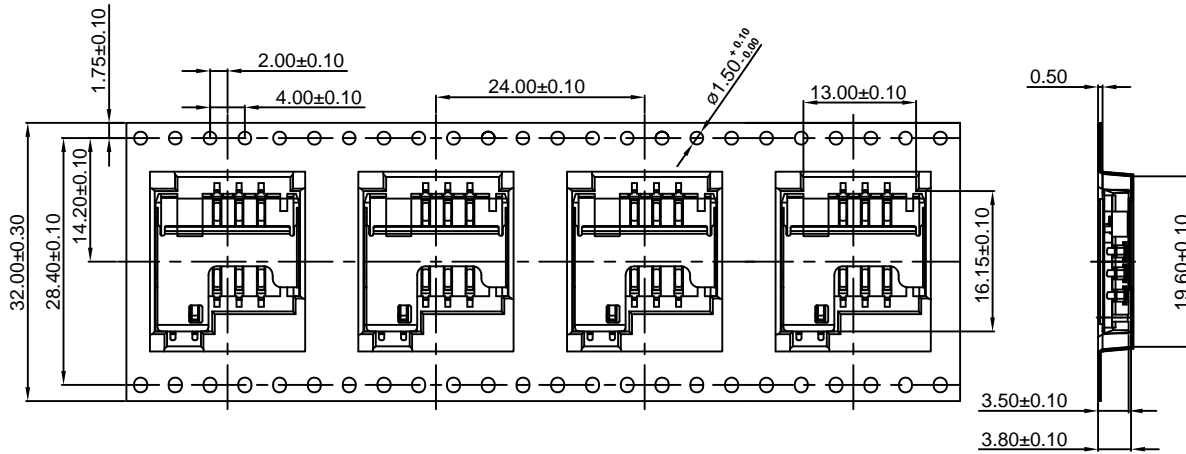
www.globalconnectortechology.com				
Scale NTS	Revision C	Material See Note	Drawn by CM	Sheet No. 1/2



Gross Weight: 1.00KGS
Q'ty: 700 Pcs per Reel



Gross Weight: 8.00KGS
Quantity: 5600 Pcs per carton (8 Reels set in order)
Measure: 35.00Lx35.00Wx31.50H cm



By	CM	ASE	ASE
DETAIL	DRAWING RELEASE	PCN SIM2070-001	PCN SIM2070-002
REV DATE	A 05/12/11	B 12/11/12	C 07/01/13



Tolerances (Except as noted)	Part Number:-	Date:-
Dimensions in mm	SIM2070	05 DEC 11
	Description:-	
	SIM CONNECTOR, RECEIVER TYPE, 6 PIN SMT, 3.44mm PROFILE, WITH DETECTION SWITCH	
Third Angle Projection	© THIS DRAWING IS CONFIDENTIAL AND MUST NOT BE COPIED OR DISCLOSED WITHOUT WRITTEN CONSENT	

<h1>GCT</h1>				
www.globalconnectortechology.com				
Scale NTS	Revision C	Material See Note	Drawn by CM	Sheet No. E & OE 2/2